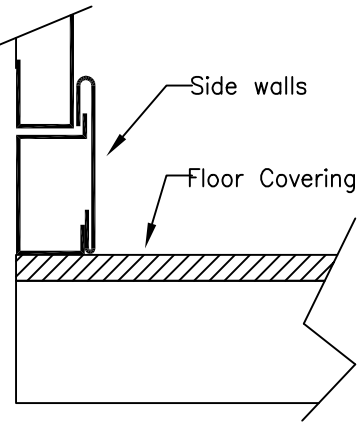
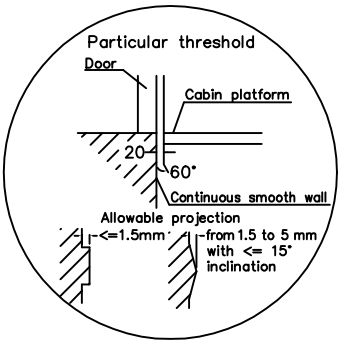


The Floor Covering has to be put on the total surface of the platform before installing the cabina walls



**NOT STANDARD**

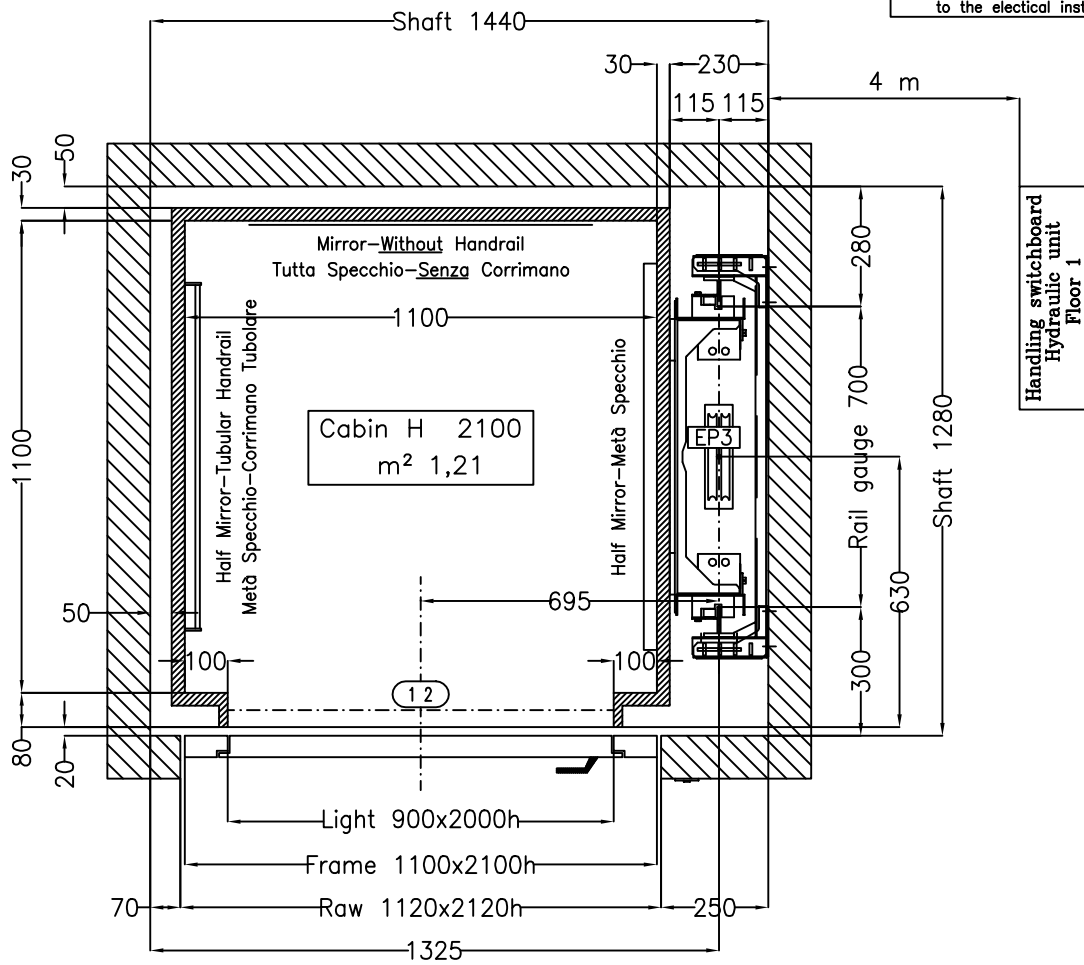
Floor Cabin Prepared for  
Customer Covering th. 2,5 mm Max 50 kg  
Tubular Handrail  
Side 4 Mirror without handrail



**FUORI STANDARD**

Pavimento Cabina predisposto per Rivestimento sp 15 mm Max 50 kg  
Corrimano Tubolare  
Lato 4 Specchio Senza Corrimano

Provide an inspectionable canalization to allow the way to the piping and to the electrical installation.



Handling switchboard Hydraulic unit Floor 1

EP5

EP5

Shaft: Masonry - Muratura.

Disegno Definitivo SHEET DIMENSION A3 DATE OF MODIFICATIONS Stops: 2 Doors: 2

Modifications	d .		
	c .		
	b .		
	a Varie Modifiche come da fax 27.11.06		01.12.2006

Check that the characteristics given in the technical drawing are in accordance with the order form

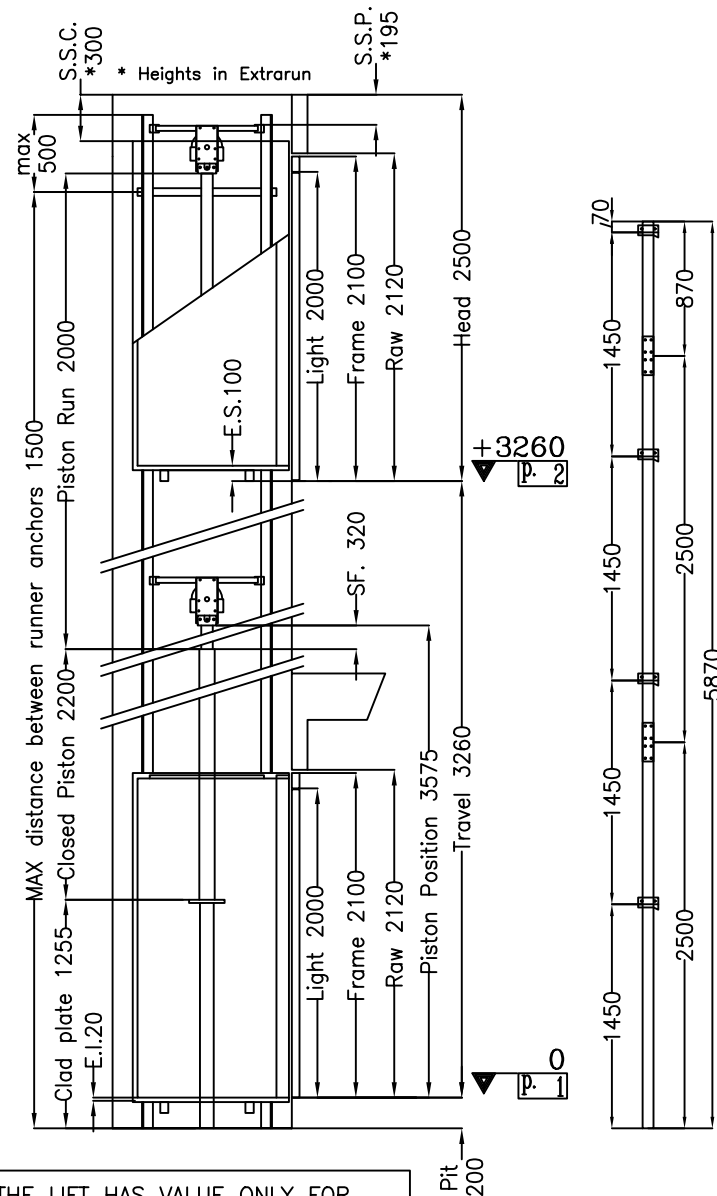
I	MODEL ELFO AEP3 Indirect	SPEED 0.25 m/s	Preliminary drawing Luca Del Bianco
	Order	ACTY 350 kg	Date of first draft 31.07.06

**HOISTWAY NOTES FOR THE CLIENT**

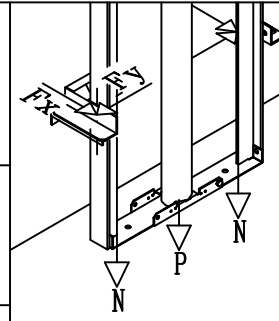
- Load bearing structures of the hoistway must be able to sustain the loads indicated. The dimensions of the elevator shaft must be guaranteed with allowances of ± 1 cm. and the walls must be perfectly plumbed
- We suggest making ventilation ducts with surfaces of at least 1% of the horizontal section of the hoistway.
- The pit must be protected against water leaks.

	Scale 1/12.5	Sheet 1/2
--	--------------	-----------

**Accessori:**  
 Chiave abilitazione pulsantiera di cabina a doppia estrazione  
 Fotocellula/e tutta parete  
 Pulsantiera a murare ai piani: 1 2  
 Chiave di abilit. Pulsantiera di piano D.E.: 1 2  
 Barre guide da 2,5 m  
 Impianto con pressostato  
 Portata >300 kg  
 Pompa a mano  
 Arcata rinforzata – Mensola tipo UK  
 Manovra Automatica  
 Velocità Nominale 0,25 m/s  
 Parete tutta Specchio Lato 4  
 Parete Metà Specchio Lato 1, 3



Indirect Installation	Ver. 17.11.06
Thrust during normal operation	01.12.06 – 11:55
P (N)	9910
N (N)	523
Fx (N)	1294
Fy (N)	320
Thrust of safety device intervention	
P (N)	606
N (N)	6475
Fx (N)	2413
Fy (N)	0
Pressures	
max static pressure (bar)	25,08
min static pressure (bar)	11,42
overpressure limit (bar)	35,11
residual pressure (bar)	1,21
Spaces	
extrarun below cabin E.I. (mm)	20
extrarun above cabin E.S. (mm)	100
piston extraction SF. (mm)	320
piston/head S.S.P. (mm)	195
cabin/head S.S.C. (mm)	300
Hydraulic unit	
piston MORIS 9130	
diam. (mm)	80x7,5
total piston run (mm)	2000
closed piston (mm)	2200
opt. oil position	basso
central unit MORIS CP1	
capacity (l/min)	35
motor (V)	220
power (Hp)	3,5
tubing ø1"1/4 R2 AT FD+F90° M45X2	
length (mm)	8000
hydraulic oil	
min. litres (L)	66
Mechanical parts	
runners T70/2A	
length (mm)	5870
brackets (qt.)	4
cables 9 mm (S 114+1)	
length (mm)	2 x 8300
Minimum actual breaking load (N)	40100
zinc clad plate 88.9	
length (mm)	1255
arcade AEP3 scart.700 mens.131 mont.2100 cil. 80	
Pilot Cable (mm)	15000
Cabin	
panels	Inox Scotch Brite
finishes	Inox Scotch Brite
floor rivest.	Cliente 2,5 mm
operator panel	Inox Scotch Brite 900 mm
Lobby doors: 1	Covered Scotch Brite Stainless Steel
Lobby doors: 2	Inside: Covered S.B. Stainless Steel; Outside: Rustproof (including frames) Tubular handles model CASPIM



THE LIFT HAS VALUE ONLY FOR THE VERTICAL HEIGHTS SHOWN

Check that the characteristics given in the technical drawing are in accordance with the order form

Disegno Definitivo	VIEW	Preliminary drawing	DATE OF MODIFICATIONS
		Luca Del Bianco	
Modifications			
d	.		.
c	.		.
b	.		.
a	Varie Modifiche come da fax 27.11.06		01.12.2006
DATE	SHEET	Security Devices	
31.07.06	2/2	CAPACITY: 350 kg	
		Safety Gear	TUV AFV515
		Manufacturer:	PFB – BP1
		Block Valve	IMQ I0222
		Manufacturer:	MORIS – 0825/P
		Key Locks	IMQ I0110
		Manufact.:	Tieffe-Tieffe 2000

**Accessories:**  
 Activation Key for Cabin Button Panel with Double Insertion  
 Full Height Infra-red Curtain/s  
 Floor Button Pad fixed to the Wall: 1 2  
 Activation Key for Floor Button Pad D.I.: 1 2  
 Guides bars dimension 2,5 m  
 Installation with Pressostat  
 Capacity >300 kg  
 Hand Pump  
 Reinforced Arcade – Bracket type UK  
 Automatic Control  
 Nominal Speed 0,25 m/s  
 Sidewall Mirror Side 4  
 Sidewall Half Mirror Side 1, 3