

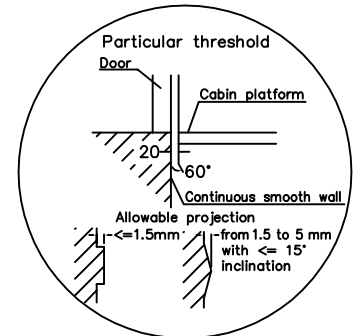
Missing information:

- Floor Cabin Prepared for Customer Covering th. ___ mm
- Handrail: Brushed S.S. / Aluminium

Internal structure with Flat Covering.
 Structure: Painted Sheet: RAL 9003
 Sheet covering: Excluded (Without glass-frames)
 Anchorage to care of the Customer.

Struttura per INTERNO con Copertura Piana.
 Struttura verniciata RAL 9003
 Tamponamento: Escluso (Senza Fermavetri)
 Ancoraggio a carico Cliente.

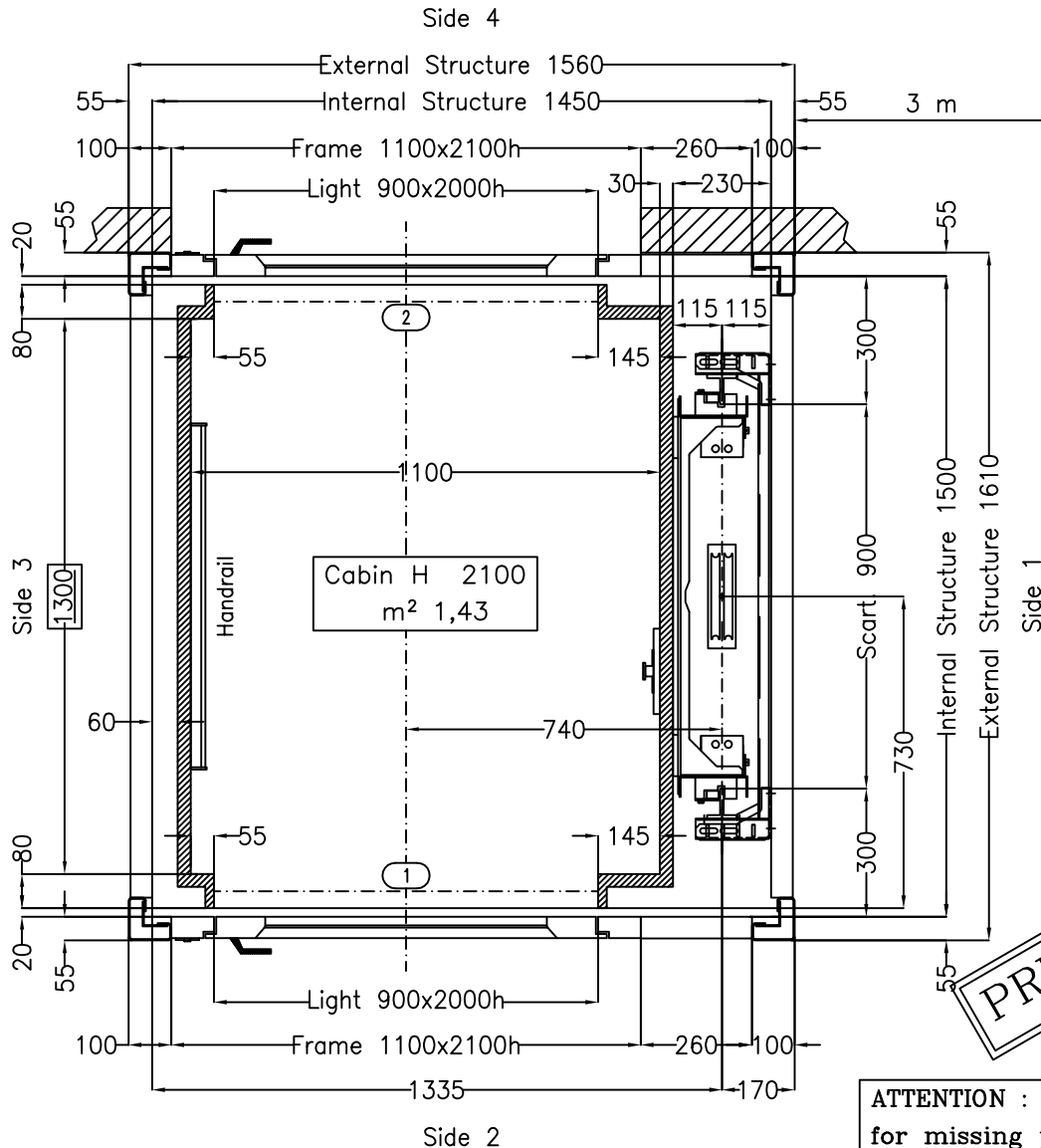
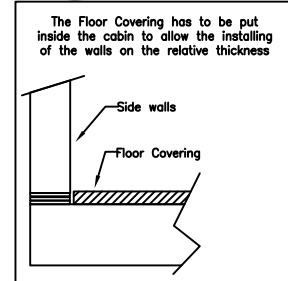
Make the anchorage in height of at least 3 uprights both in head and every 3,5 m max.



NOT STANDARD

Floor Cabin Prepared for Customer Covering th. ___ mm Max 50 kg

Auto Door/s Operator/s (M)



Handing switchboard Hydraulic unit Floor 1

Provide an inspectionable canalization to allow the way to the piping and to the electrical installation.

PRELIMINARY

ATTENTION : incomplete drawing for missing project specifications

EL

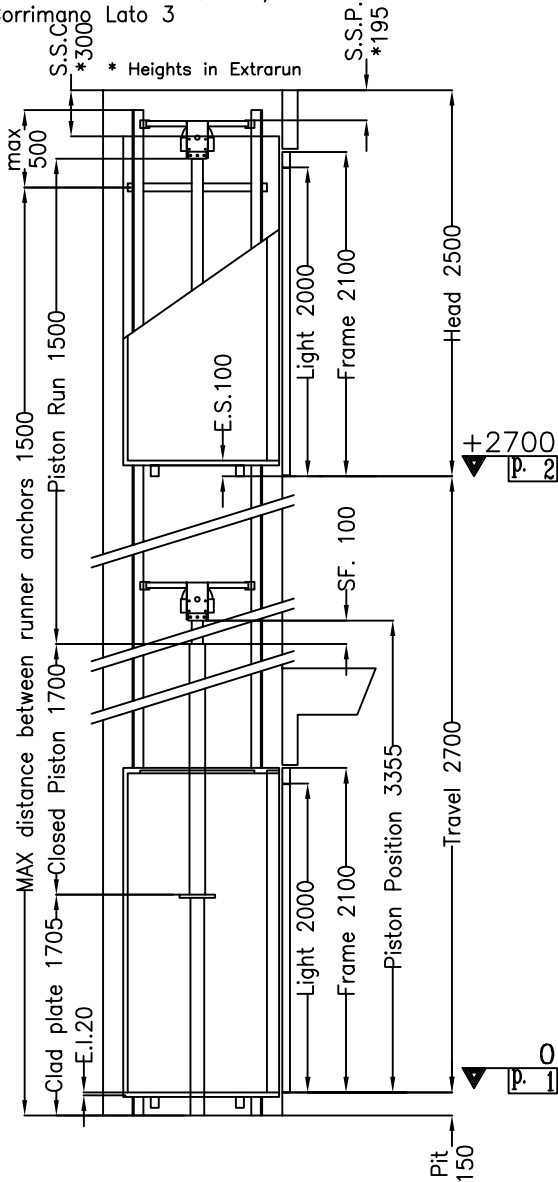
Shaft: Structure

| | | | | | |
|---------------------|-----------------------------|-----------------------|--|--|----------|
| Disegno Preliminare | | SHEET DIMENSION A3 | DATE OF MODIFICATIONS | Stops: 2 | Doors: 2 |
| Modifications | d . | | | Check that the characteristics given in the technical drawing are in accordance with the order form | |
| | c . | | | | |
| | b . | | | | |
| | a . | | | | |
| ORDR NUMBR | MODEL ELFO AEP3 Indirect | SPEED 0,30 m/s | Disegno Preliminare Luca Del Bianco | HOISTWAY NOTES FOR THE CLIENT ○ Load bearing structures of the hoistway must be able to sustain the loads indicated. The dimensions of the elevator shaft must be guaranteed with allowances of ± 1 cm. and the walls must be perfectly plumbed ○ We suggest making ventilation ducts with surfaces of at least 1% of the horizontal section of the hoistway. ○ The pit must be protected against water leaks. | |
| | | CAPACITY 350 kg | Date of first draft 07.02.08 | | |
| | | | Scale 1/12.5 | | |
| | | | | | |

ATTENTION : incomplete drawing for missing project specifications

THE LIFT HAS VALUE ONLY FOR THE VERTICAL HEIGHTS SHOWN

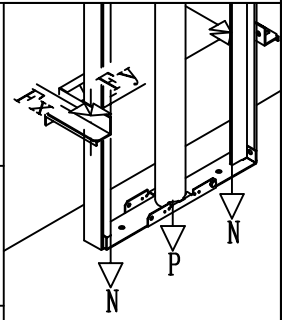
Accessori:
 Chiave abilitazione pulsantiera di cabina a doppia estrazione
 Predisposizione Fotocellula tutta parete
 Struttura 315B
 Chiave di abilit. Pulsantiera di piano D.E.: 1 2
 Epmatic Piano: 1 2
 Barre guide da 2,5 m
 Impianto con pressostato
 Portata >300 kg
 Arcata rinforzata – Mensola tipo UK
 Manovra Automatica
 Velocità Nominale 0,30 m/s
 Corrimano Lato 3



Indirect Installation Ver. 20.07.07

| | | |
|--------------------------------|----------|------------------|
| Thrust during normal operation | | 07.02.08 – 17:48 |
| P | (N) 9601 | |
| N | (N) 469 | |
| Fx | (N) 1282 | |
| Fy | (N) 387 | |

| | |
|--------------------------------------|----------|
| Thrust of safety device intervention | |
| P | (N) 461 |
| N | (N) 6363 |
| Fx | (N) 2392 |
| Fy | (N) 0 |



| | |
|---------------------|-------------|
| Pressures | |
| max static pressure | (bar) 32,07 |
| min static pressure | (bar) 14,22 |
| overpressure limit | (bar) 44,89 |
| residual pressure | (bar) 1,20 |

| | |
|---------------------------|----------|
| Spaces | |
| extrarun below cabin E.I. | (mm) 20 |
| extrarun above cabin E.S. | (mm) 100 |
| piston extraction SF. | (mm) 100 |
| piston/head S.S.P. | (mm) 195 |
| cabin/head S.S.C. | (mm) 300 |

| | |
|-----------------------|----------------------------|
| Hydraulic unit | |
| piston | MORIS 9130 |
| diam. (mm) | 70x5 |
| total piston run (mm) | 1500 |
| closed piston (mm) | 1700 |
| opt. oil position | basso |
| central unit | MORIS CM3A |
| capacity (l/min) | 35 |
| motor (V) | 220 |
| power (Hp) | 4,5 |
| tubing | ø1"1/4 R2 AT FD+F90" M45X2 |
| length (mm) | 7000 |
| hydraulic oil | min. litres (L) 60 |

| | |
|----------------------------------|---|
| Mechanical parts | |
| runners | T70/2A |
| length (mm) | 5320 |
| brackets (qt.) | 5 |
| cables | 9 mm (S 114+1) |
| length (mm) | 2 x 7700 |
| Minimum actual breaking load (N) | 40100 |
| zinc clad plate | 88.9 |
| length (mm) | 1705 |
| arcade | AEP3 scart.900 mens.131 mont.2100 cil. 70 |
| Pilot Cable | (mm) 12000 |

| | |
|----------------|-------------------------------------|
| Cabin | |
| panels | Avorio PPS11 |
| finishes | Similinox F12PPS |
| floor rivest. | Cliente 00 mm |
| operator panel | Similinox F12PPS – Verticale Cod.T5 |
| ceiling | UNIVERSAL Bianco A1 |

| | | | |
|--------------|--|--|--|
| Lobby doors: | <input type="checkbox"/> All | <input type="checkbox"/> RAL 9006 Smooth | <input type="checkbox"/> Panoramic Transparent Glass |
| | Tubular handles model Caspim – EPMATIC | | |
| | Verniciatura Liscia – Maniglie Caspim | | |

Check that the characteristics given in the technical drawing are in accordance with the order form

| | | | | |
|---------------------|-------|------------------|---------------------|------------------------------|
| Disegno Preliminare | | VIEW | Disegno Preliminare | DATE OF MODIFICATIONS |
| | | | Luca Del Bianco | |
| Modifications | d | . | | . |
| | c | . | | . |
| | b | . | | . |
| | a | . | | . |
| DATE | SHEET | CAPACITY: 350 kg | | Security Devices |
| 07.02.08 | 2/2 | | | Safety Gear TUV AFV515 |
| | | | | Manufacturer: PFB – BP1 |
| | | | | Block Valve IMQ I0222 |
| | | | | Manufacturer: MORIS – 0825/P |
| | | | | Key Locks – |
| | | | | Manufact: – |

Accessories:
 Activation Key for Cabin Button Panel with Double Insertion
 Preparation for Full Height Infra-red Curtain Structure 315B
 Activation Key for Floor Button Pad D.I.: 1 2
 Auto Door Operator Floor: 1 2
 Guides bars dimension 2,5 m
 Installation with Pressostat
 Capacity >300 kg
 Reinforced Arcade – Bracket type UK
 Automatic Control
 Nominal Speed 0,30 m/s
 Handrail Side 3

