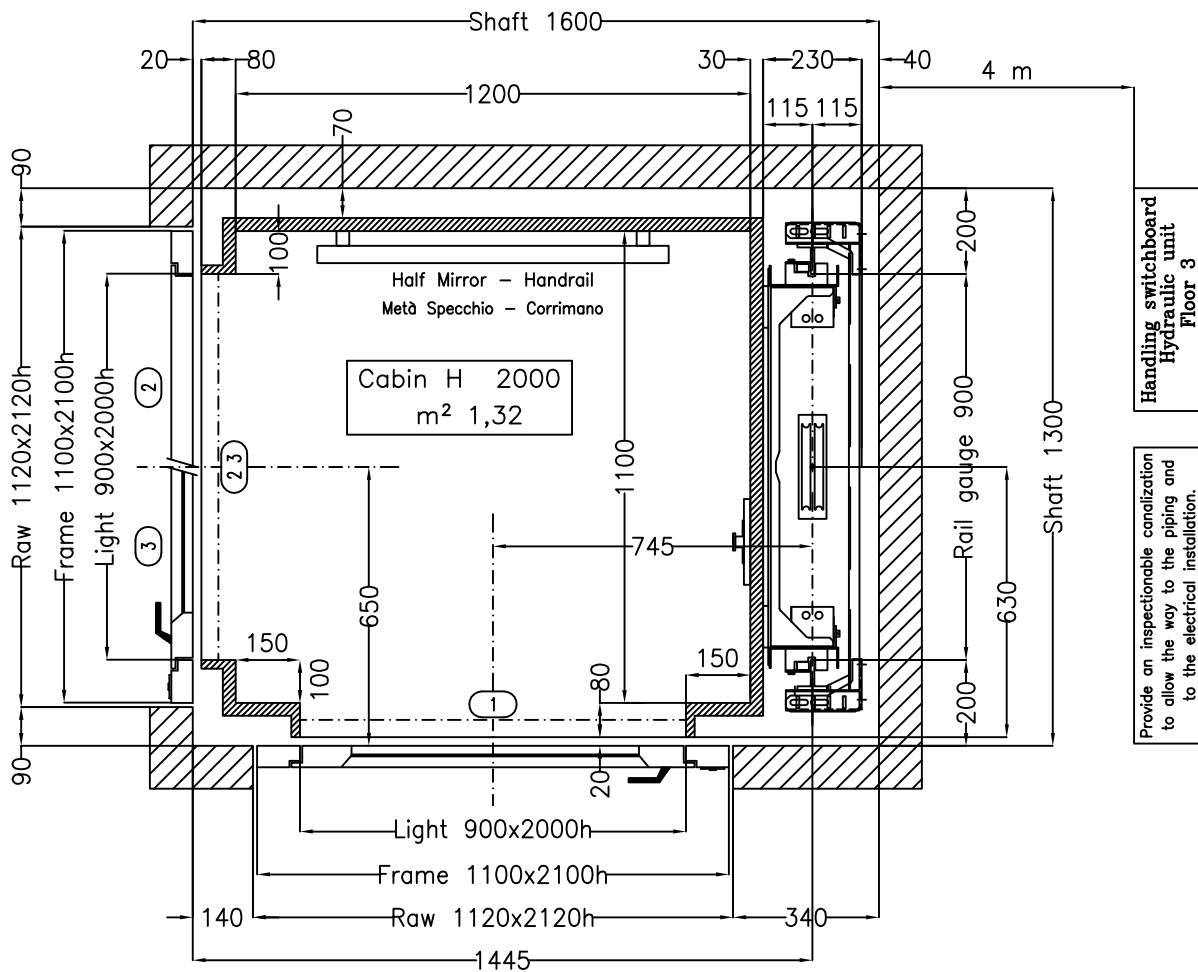
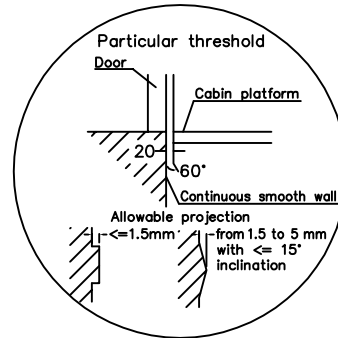


NOT STANDARD

Remote Control Cal/Send
Controllo remoto Chiamata/Rimando



Handling switchboard
Hydraulic unit
Floor 3

Provide an inspectionable canalization
to allow the way to the piping and
to the electrical installation.

EL

Shaft: Masonry - Muratura

Variante Disegno Definitivo

SHEET DIMENSION
A3

DATE OF
MODIFICATIONS

Stops: 3

Doors: 3

Modifications
d
c
b
a

d	.	
c	.	
b	Variante solo disegno: La porta Cieca è al P.2 e non al P.1.	27.03.2008
a	Modifiche Varie	19.03.2008

Check that the characteristics given in the technical drawing are in accordance with the order form

**HOISTWAY
NOTES FOR THE CLIENT**

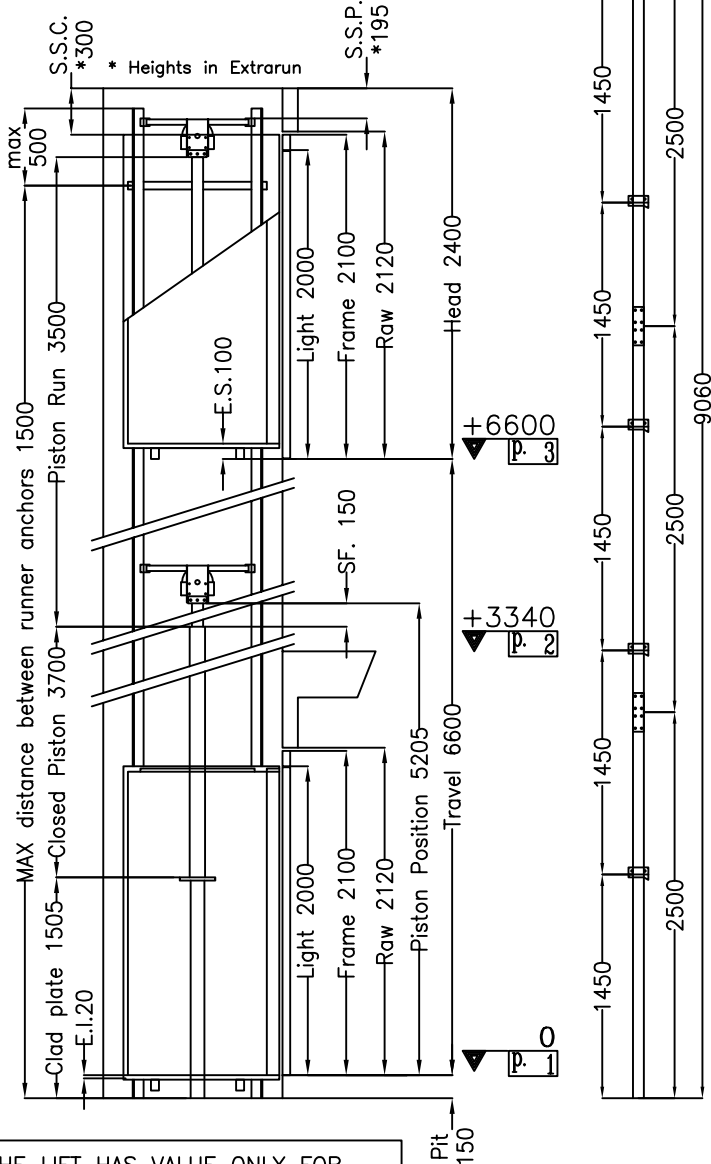
- Load bearing structures of the hoistway must be able to sustain the loads indicated. The dimensions of the elevator shaft must be guaranteed with allowances of ± 1 cm. and the walls must be perfectly plumbed
- We suggest making ventilation ducts with surfaces of at least 1% of the horizontal section of the hoistway.
- The pit must be protected against water leaks.

MODEL ELFO AEP3 Indirect	SPEED 0,30 m/s	Variante Disegno Definitivo Luca Del Bianco
	CAPACITY 350 kg	Date of first draft 10.12.07
		Scale Sheet 1/12.5 1/2

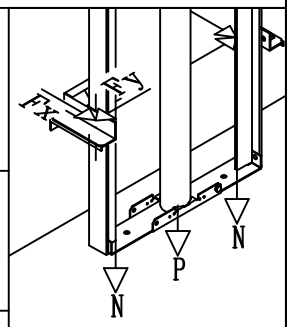


Accessori:

- Chiave abilitazione pulsantiera di cabina a doppia estrazione
- Predisposizione Fotocellula tutta parete
- Chiave di abilit. Pulsantiera di piano D.E.: 1 2 3
- Pistone con attacco olio in alto
- Barre guide da 2,5 m
- Impianto con pressostato
- Portata >300 kg
- Pompa a mano
- Arcata rinforzata – Mensola tipo UK
- Scartamento imposto
- Manovra Automatica
- Velocità Nominale 0,30 m/s
- Parete Metà Specchio Lato 4
- Corrimano Lato 4



Indirect Installation	Ver. 20.07.07	
Thrust during normal operation	21.03.08 – 16:19	
P (N)	9596	
N (N)	808	
Fx (N)	1448	
Fy (N)	338	
Thrust of safety device intervention		
P (N)	619	
N (N)	6518	
Fx (N)	2719	
Fy (N)	0	
Pressures		
max static pressure (bar)	31,64	
min static pressure (bar)	13,79	
overpressure limit (bar)	44,29	
residual pressure (bar)	1,61	
Spaces		
extrarun below cabin E.I. (mm)	20	
extrarun above cabin E.S. (mm)	100	
piston extraction SF. (mm)	150	
piston/head S.S.P. (mm)	195	
cabin/head S.S.C. (mm)	300	
Hydraulic unit		
piston MORIS 9130		
diam. (mm)	70x5	
total piston run (mm)	3500	
closed piston (mm)	3700	
opt. oil position	alto	
central unit MORIS CM3A		
capacity (l/min)	35	
motor (V)	220	
power (Hp)	4,5	
tubing ø1"1/4 R2 AT FD+F90" M45X2		
length (mm)	11000	
hydraulic oil		
min. litres (L)	82	
Mechanical parts		
runners T70/2A		
length (mm)	9060	
brackets (qt.)	6	
cables 9 mm (S 114+1)		
length (mm)	2 x 11600	
Minimum actual breaking load (N)	40100	
zinc clad plate 88.9		
length (mm)	1505	
arcade AEP3 scart.900 mens.131 mont.2000 cil. 70		
Pilot Cable (mm)	18000	
Cabin		
panels Avorio PPS11		
finishes Similinox F12PPS		
floor 121-089 – Coffee		
operator panel Similinox F12PPS – Verticale Cod.T6		
ceiling FARETTI Bianco A1		
Lobby doors: 1 3	RAL 1015 Smooth	Panoramic Milk white Glass
Lobby doors: 2	RAL 1015 Smooth solid steel panel	
Tubular handles model Caspim – Maniglie Caspim – Verniciatura Liscia		



THE LIFT HAS VALUE ONLY FOR THE VERTICAL HEIGHTS SHOWN

Check that the characteristics given in the technical drawing are in accordance with the order form

Variante Disegno Definitivo		VIEW	Variante Disegno Definitivo	DATE OF MODIFICATIONS
			Luca Del Bianco	
Modifications	d	.		.
	c	.		.
	b	Variante solo disegno: La porta Cieca è al P.2 e non al P.1.		27.03.2008
	a	Modifiche Varie		19.03.2008
DATE	SHEET	CAPACITY: 350 kg		Security Devices
10.12.07	2/2			Safety Gear TUV AFV515
				Manufacturer: PFB – BP1
				Block Valve IMQ IO222
				Manufacturer: MORIS – 0825/P
				Key Locks IMQ IO110
				Manufact.: Tieffe-Tieffe 2000

- Accessories:**
- Activation Key for Cabin Button Panel with Double Insertion
 - Preparation for Full Height Infra-red Curtain
 - Activation Key for Floor Button Pad D.I.: 1 2 3
 - Piston with high oil access
 - Guides bars dimension 2,5 m
 - Installation with Pressostat
 - Capacity >300 kg
 - Hand Pump
 - Reinforced Arcade – Bracket type UK
 - Obliged rail gauge
 - Automatic Control
 - Nominal Speed 0,30 m/s
 - Sidewall Half Mirror Side 4
 - Handrail Side 4

