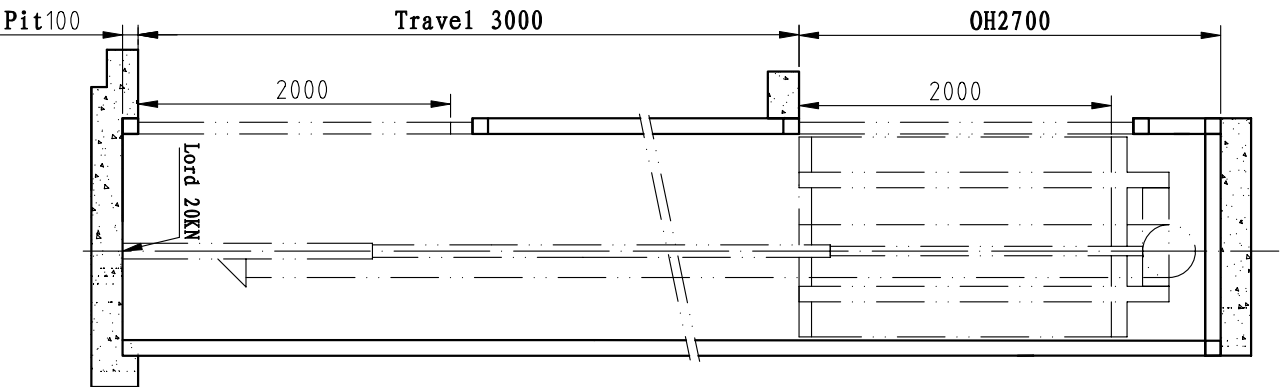


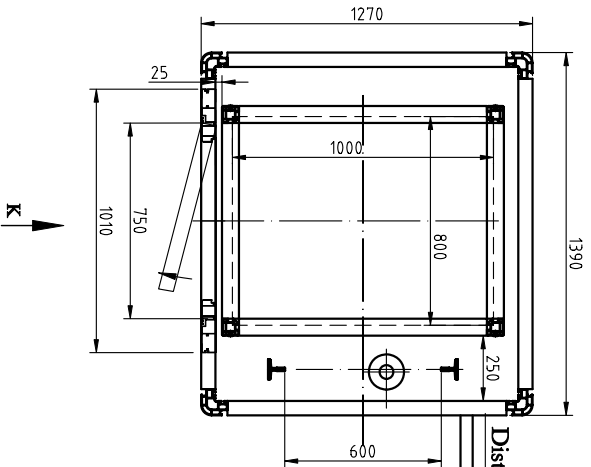
**SHAFT SECTION**



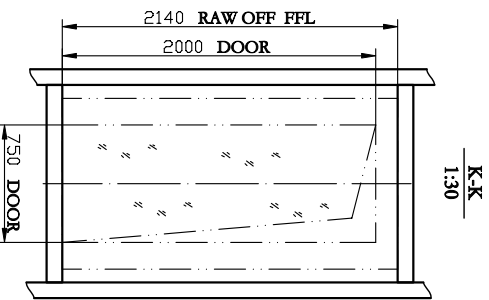
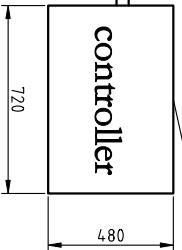
OH	2700
1	3000
floor height	

**SHAFT PLAN**

1:20

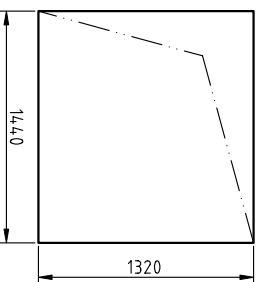


W720\*D480\*H1400



**SHAFT PIT AND FLOOR OPENING**

1:40



**Main Parameters**

Type	T1Y-250
Load	250kg
Car Size	800X1000X2000
Door Size	750X2000
Structure	AI shaft
Door style	Car door / Without Hall door / Swing
Ratio	Side acting 2:1
Speed	0.25m/s
Output	2.9KW
Power Pact	Drive 240V 1 phase / Light 240V 1 phase / 50Hz 20A

**SHOW ROOM:**

NSW:  
1 / 75 Corish Circle  
Eastgardens NSW 2036  
T: (02) 9666 3939  
F: (02) 9666 3949

VIC:  
1/1 Belgium Ave  
Rusmond, 3121  
T: (03) 9421 4222  
F: (03) 9421 4333

QLD:  
Home Ideas Centre, 66 Merrivale St.  
South Bank, Brisbane  
T: (07) 3014 0633  
WA:  
Home Base Expo, 55 Salvado Rd.  
Subiaco, Perth  
T: (08) 9460 0666

Toll Free: 1800 440 714  
www.liftshop.com.au

Drawing No.	D1106067	Controller position	<input type="checkbox"/> Close <input type="checkbox"/> Near
Project	83756		
Version	1	<input type="checkbox"/> L <input type="checkbox"/> R <input type="checkbox"/> B	<input type="checkbox"/> L <input type="checkbox"/> R <input type="checkbox"/> m
Contract No.		250kg hydraulic homelift	
Preliminary Drawing			

Confirmed by customer's signature			
Design	shanying	Approve	yangjianrong
Check	gukangning	Date	2011.06.16
<b>LIFTSHOP</b>		Life with style	