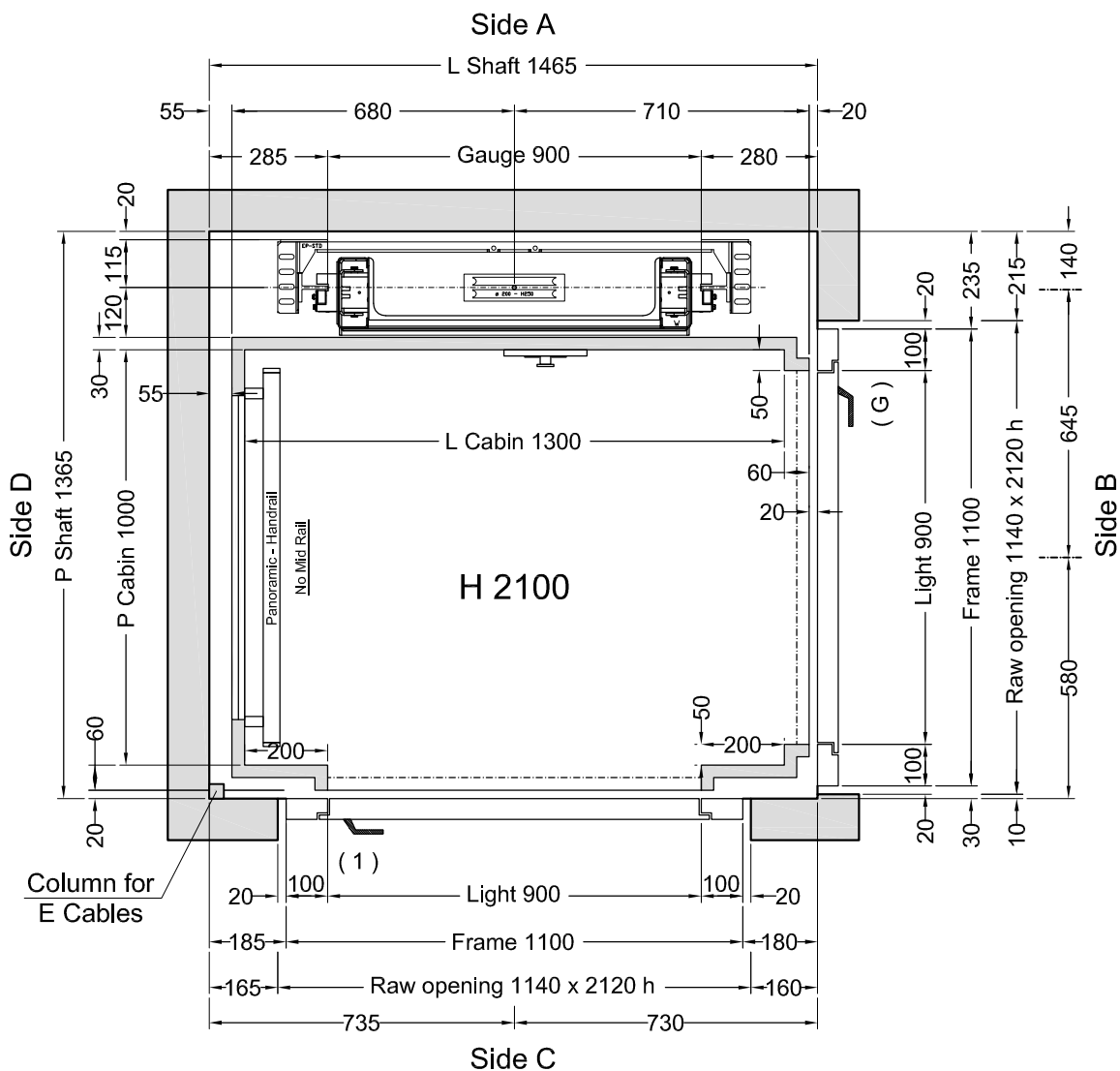


FLOOR DOOR

Side B	Side C	Side D	VERSION	H LIGHT	H FRAME	FRAME	WINDOW	GLASS	ACCESSORIES
G	1		Alluminium	2000	2100	Anodized aluminium	Panoramic	Transparent	C2

C1 = Enabling key for the floor button pad (single insertion) C2 = Enabling key for the floor button pad (double insertion) PM = Button pad on the wall PE = Outside lock and button pad





Feasibility n° 2461 - Wall Side D

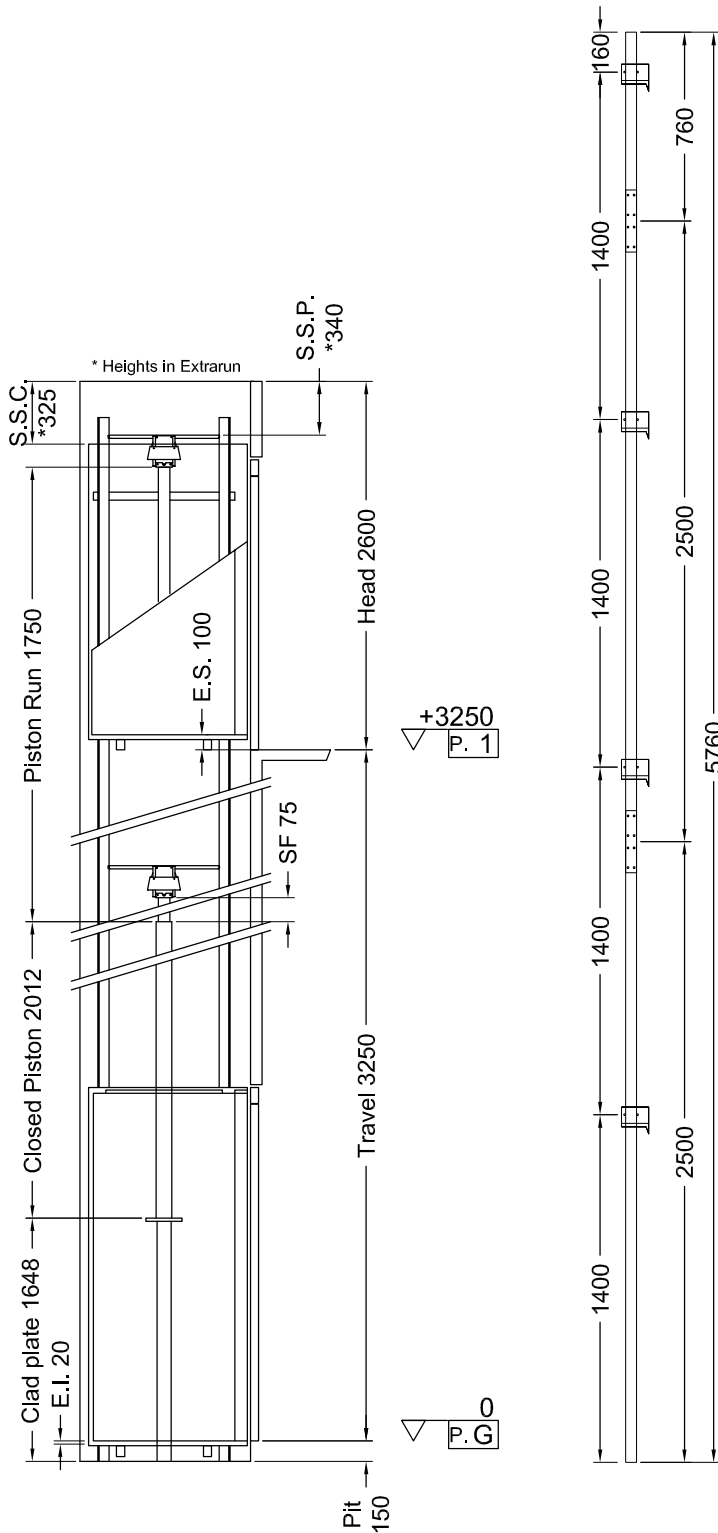
Stops: 2 - Doors: 2

Shaft in **Masonry (Muratura)**

Customer own flooring: Dimensions **1330 (L) x 1030 (P)** thks **20 mm** Weight: **50 kg**

VERSIONS	Description	Designer	Date	Final Drawings	
					Model
				ELFO	1/2
	tolto verniciatura meccanica e pistone; aggiunto rivestimento esterno cabina lati B, C.	D.Tomei	31/08/2015		SHEET DIMENS.
	porte alluminium, colore pareti e cellino, corsa a 3250	D.Ogliastro	26/08/2015		A3
CLIENT	Lift Shop	Final Drawings	1° STESURA		SCALE
		L. Del Bianco	29/06/15		1:12.5
		CAPACITY	AREA m ²	CAPACITY	
		300 kg	1,3		





Indirect Installation Speed 0,3 m/s 25/09/15 14.52 (V.2852)

THRUST DURING NORMAL OPERATION			THRUST OF SAFETY DEVICE INTERVENT.		
P	(N)	10857	P	(N)	481
N	(N)	569	N	(N)	7326
F1	(N)	1404	F1	(N)	2340
F2	(N)	314	F2	(N)	523

SPACES		PRESSURES		
E.I.	Extrarun below cabin (mm)	20	Max static pressure (bar)	35,24
E.S.	Extrarun above cabin (mm)	100	Min static pressure (bar)	19,95
SF.	Piston extraction (mm)	75	Overpressure limit (bar)	49,34
S.S.P.	Piston/head (mm)	340	Residual pressure (bar)	1,25
S.S.C.	Cabin/head (mm)	325		

HYDRAULIC UNIT		MECHANICAL PARTS	
Central unit	GMV HL 3010 (-*)		
Capacity (l/min)	35	Guide rails	70x70x9
Motor (V)	MF230V	Brackets	(Nr) 4
Power (Kw)	2,9	Ropes	Ø 9 mm 6-(1+9+9)
Nominal current (A)	27	Cables length (mm) 2 x	9000
Piston	Start Home (Ø)70x5x1750	Min actual breaking load (N)	47300
Opt. oil position	BASSO		
Tubing	3/4" EN 853 1SN - FD 3/4" - GOMITO 3/4"		
Tubing length (mm)	12000		
Min hydraulic oil (L)	41		

SECURITY DEVICES	Manufacturer	Model	Certificate
Safety Gear	PFB	BP1	TÜV AFV515
Block Valve	START ELEVATOR	1/2" 0327	CA50.00525
Key Locks	Prudhomme	PLT/L/CPX NL 11-400-1002-125-02	

MACHINERY LOCATION			
At floor	G	Length of the hose travel	8000 (mm)
Cables enter in shaft: Side	A		

CABIN		CABIN ACCESSORIES	
Panels	F41PPS	Panoramic	Side D - No Strip **
Finishes	Inox BA mecc.	Handrail	Inox Lucido, Side D **
Oper. panel	VERTICAL (Like finishes)	Outside covering	Side B, C, D, Roof
Floor	By Customer	Outside finishing	Inox BA mecc.
Ceiling	SPOTS LED - F41PPS		

(**) Side D: full panoramic wall no strip and handrail fixed on the profiles

OTHER ACCESSORIES
Guides dimension 2.5 m
Manual pump
Manostat with overweight signal
Two speed
Handles CASPIM (Long)
Telephone by Lift Shop
Full height Infra-red curtain V2
Roof covering
Automatic Control 2011
Blue Buttons
Cabin Buttons: "G 1"
Call Accept + Emergency manual descent from cabin



Final Drawings	1° STESURA
L. Del Bianco	29/06/15
Final Drawings	
SCALE	SHEET
OUT OF SCALE	2/2